



## AWEB SA RULE 10 OF 2014: THE STANDARD SHOW CAGE

### INTRODUCTION

AWEB SA requires that all cages used to exhibit budgies must be safe, neat and clean and as close as possible to the standard described below. The Association is aware that the wooden show cages are expensive and becoming a scarce resource. For that reason, AWEB SA has been instrumental in the design and manufacturing of a wire show cage. In addition, the wire show cage does show off the birds a lot better. Other benefits are *inter alia*:

- They are easier to clean and store;
- No painting required; and
- Folds up and therefore takes far less space during transport and for storage.

The “Wooden Show Cage” can be used until the end of the Show Season of 2020. This means that only the Wire Show Cage will be allowed at AWEB SA Shows from the 2021 Show Season.

The specifications for both cages are contained in this Rule. The aim is that all our members would use the wire show cage obtainable from an approved supplier when exhibiting their birds at AWEB SA Championship Shows.

### THE SPECIFICATIONS BELOW ARE OF THE WIRE CAGE:

#### R10.1 SIZE

Overall measurements: 320mm long, 180mm width, and 295mm high.

#### R10.2 DOOR

R10.2.1 99mm width x 132mm high.

R10.2.2 Door must be fitted with spring to keep it closed.

R10.2.3 Cage tickets and drinkers should be fitted to ensure that the door is on the right hand side when benched. The door opens to the right hand side of the cage.

**R10.3 BOTTOM RAIL (from left front to the right front).**

76mm measured from the bottom.

**R10.4 SECOND RAIL (from left front to right front).**

139mm measured from the bottom.

**R10.5 DRINKER**

R10.5.1 White plastic fountain drinker. (70mm high and 20 mm diameter)

R10.5.2 The drinker must be unmarked.

R10.5.3 The drinker must be fitted between the 8th and 9th vertical wires measured from the left hand side at the back side of the cage. The drinker should not obscure the vision of the Judge.

**R10.6 PERCH**

R10.6.1 To be 16mm standard dowel extending from back to front ends flush cut with the front end, vertically grooved to intersect with the horizontal bar to fit on the 10th vertical bar from either side of the cage.

R10.6.2 Only one perch is permitted.

**R10.7 BOTTOM**

R10.7.1 Plastic white tray into which the wire cage fits.

R10.7.2 The plastic extends 72mm up on all sides of the wire cage and held in place by two black plastic clips on either side on the 2nd vertical wire.

R10.7.3 The plastic white tray is 352mm long X 190mm wide x 72mm high.

R10.7.4 A clip on wire bottom to fit the inside of the wire cage for safety reasons.

**R10.8 COLOUR**

R10.8.1 Plastic tray will be white.

R10.8.2 Wire Cage is gloss black.

R10.8.3 Perch will be natural wood colour and not painted.

R10.8.4 The plastic clips will be black plastic.

R10.8.5 The base of the drinker will be white.

**R10.9 NAME**

R10.9.1 No maker's name or Exhibitor name should be visible when the cage is benched.

R10.9.2 Cage sponsorship/advertising is permitted as follows:

R10.9.2.1 In the form of a washable sticker not larger than standard business card, i.e. 90mm by 50mm;

R10.9.2.2 It must be affixed to the plastic white tray on the outside; and

R19.9.2.3 On the door side of the wire show cage (right hand side);

**R10.10 FLOOR COVERING**

The floor shall be covered by seed, which is fed to the budgie.

**R10.11 SPECIFICATIONS**

The technical specifications above have been supplied to AWEBBSA by the manufacturer of the wire show cage.



**THE SPECIFICATIONS BELOW ARE FOR THE WOODEN SHOW CAGE AND WOULD GUIDE MEMBERS IN THIS MATTER:**

**Important: Members are discouraged to acquire or make wooden show cages as from the 2021 show season they will no longer be permissible.**

**R10.12 Size**

Overall measurements: 356mm long, 305mm high, 165mm wide.

**R10.13 Wood**

Top and bottom, sides and false roof: 8mm+1mm-0mm finish, in red or white deal, pine, redwood or any other suitable wood or composite material. Back: good 4mm plywood or any other suitable wood or composite material, nailed outside.

**R10.14 Door**

R10.14.1 Size: 102mm x 89mm.

R10.14.2 Fasteners: One 15-gauge flat loop wire, length 38mm outside, 32mm inside, at bottom left-hand door, 19mm from left edge and 19mm from bottom edge. One plain brass desk turn, 25mm long, or one plastic desk turn, 22mm long, fixed above top left-hand door in line with the loop wire fastener.

R10.14.3 Two strong brass/steel hinges, 24mm x 16mm (when open) at right-hand side, fixed 10mm from top and bottom respectively.

R10.14.4 To open: 22mm 16 gauge wire S-hook, in centre of door.

R10.14.5 Left-hand edge bevel cut only, or left-hand edge, top and bottom of door, sloping bevel cut, right-hand edge straight cut (to take hinges) 95mm overall from cage bottom and centered with sides.

**R10.15 FRONT RAIL**

R10.15.1 Height: 70mm from cage floor.

R10.15.2 Thickness of wood: 8mm finish.

**R10.16 DRINKERS**

R10.16.1 White plastic and unmarked finger drawer drinkers; and

R10.16.2 The drinker must be fitted between the 1st and 2nd vertical wires starting from the left, resting on the 2nd horizontal bar from the bottom of the wire front. See diagram below.

**R10.17 PERCHES**

R10.17.1 To be 16mm standard dowel extending from back to front, ends flush cut with the front end, horizontal grooved to intersect with the horizontal bar and slightly chamfered to fit between the 7th and 8th vertical bar from either side of the cage front; and

R10.17.2 Position: Screw holes at back of cage to be 140mm from the bottom, overall, and 111mm apart. Perches at front then centre with the crossbar.

**R10.18 WIRE FRONT**

R10.18.1 Comprises 21 wires, 14 gauge, mesh 15.8mm centre to centre;

R10.18.2 Height of crossbar 140mm overall, including bottom of cage;

R10.18.3 For strength, double punched bar at top, set 10mm apart;

R10.18.4 Curve at top: 9.5mm radius; and

R10.18.5 Fixing: three wires left as spikes at top and bottom.

NOTE: Spot welded or epoxied fronts to above specifications are permissible.

**R10.19 TOP**

R10.19.1 Width approximately 140mm sufficiently wide to cover strengthening bar;

R10.19.2 Hand-grip: kidney-shaped, 89mm x 32mm; and

R10.19.3 Height of sloping false roof, 216mm from floor of cage.

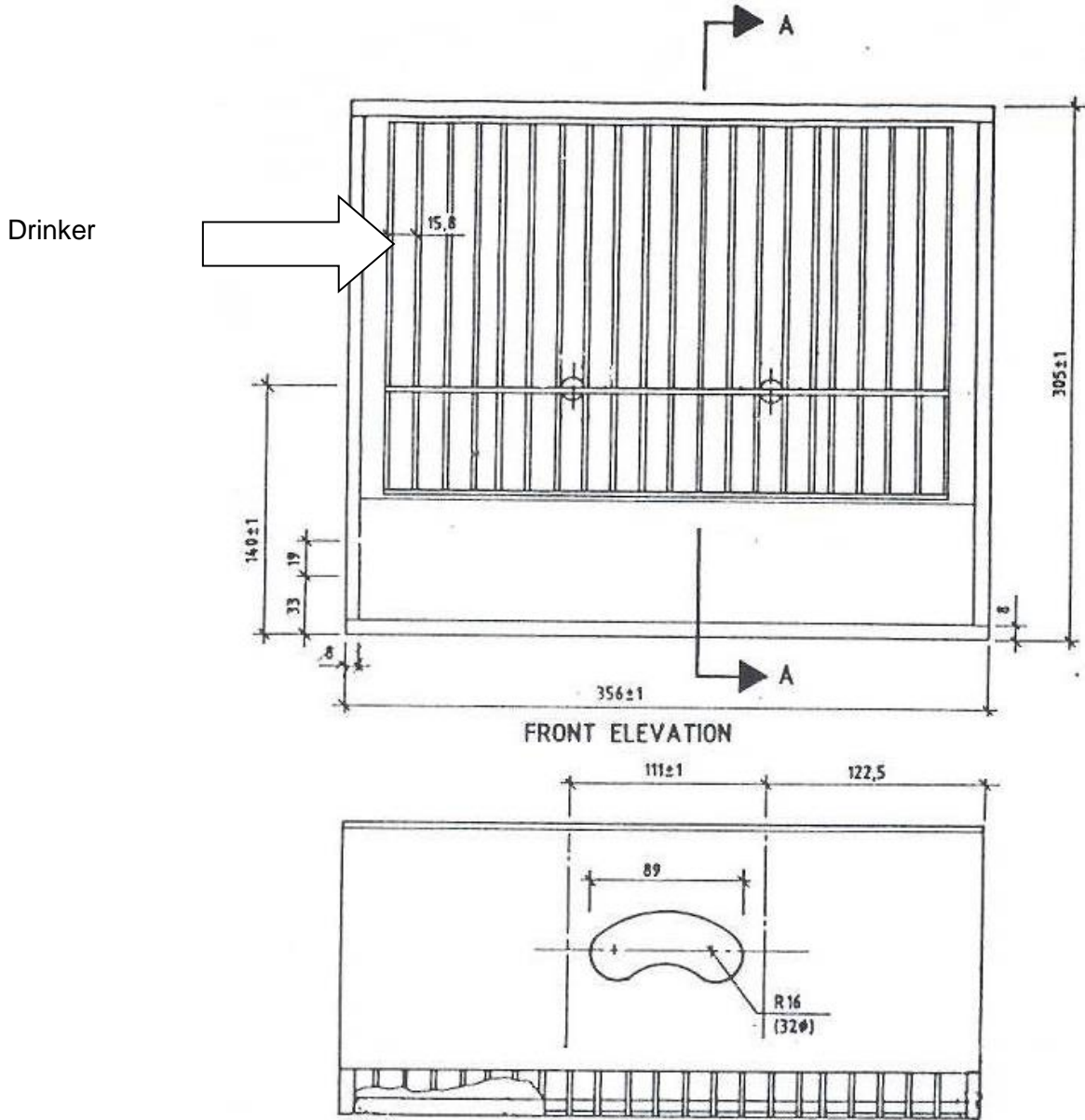
**R10.20 COLOUR**

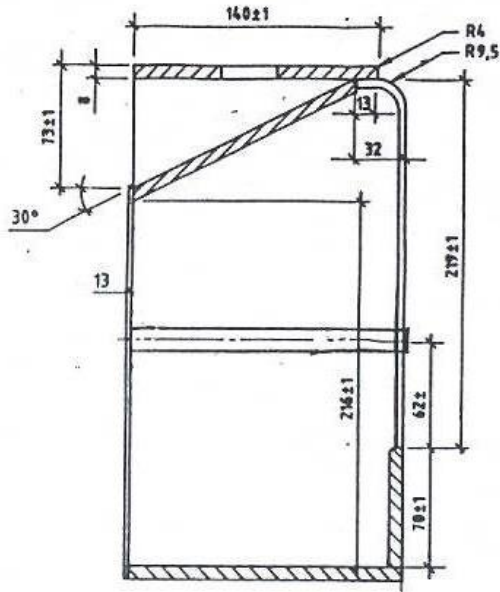
Inside and wire front: white. Outside: black.

10.21 NAME

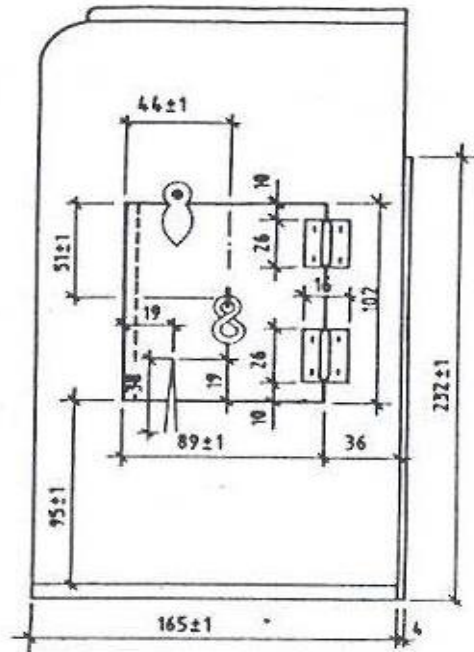
No maker's name or mark may appear on the cage.

Sketch:

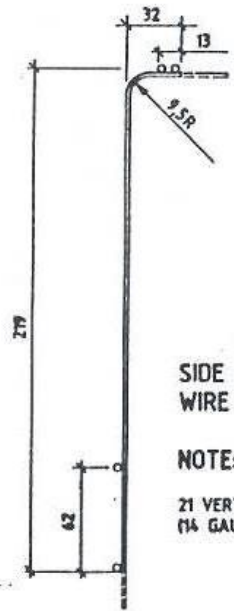




SECTION A - A



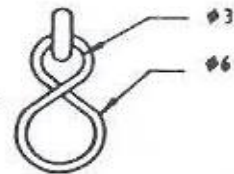
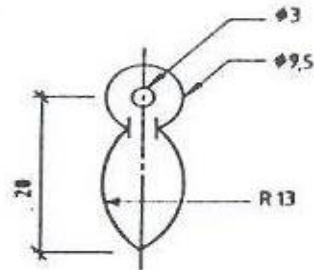
SIDE ELEVATION



SIDE ELEVATION OF WIRE FRONT

NOTE:

21 VERTICAL WIRES 2m/mφ  
(14 GAUGE)



NTS